

Growatt FB60

Fuse Box



Growatt FB60 is designed for use in domestic PV system. It is installed between the PV output and main consumer unit. It has GFCI protection built in, and can measure as well as display the PV energy generated.

Features

- ▶ Compact design, easy installation
- ▶ Shield protection, more safe
- ▶ Natural convection cooling, save energy
- ▶ Ground fault current interrupt protection,
- ▶ Energy meter integrated

GROWATT NEW ENERGY TECHNOLOGY Co.,LTD

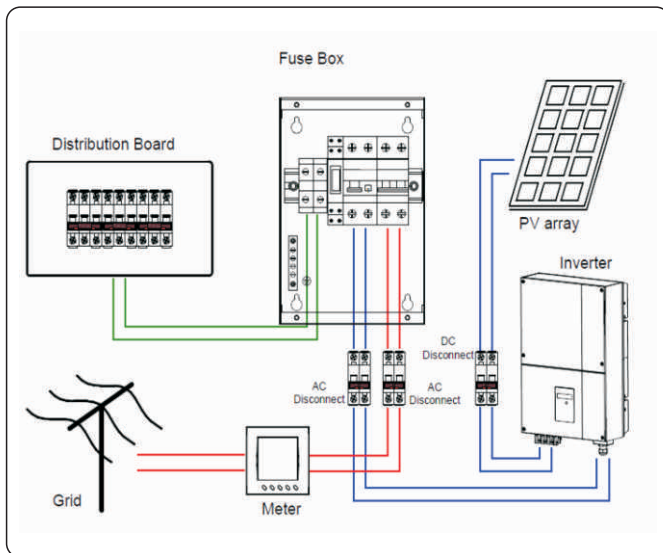
A: No.28 Guanghui Road, Longteng Community, Shiyan, Baoan District, Shenzhen, P.R.China.
T: + 86 755 2747 1900 F: + 86 755 2749 1460 E: info@ginverter.com

Datasheet

Growatt FB60

Nominal input voltage	240VAC single phase
Nominal Input frequency	50Hz
Input voltage range	232-253 Vac
Output voltage range	Same as input voltage
Protection	Ground fault current interrupt protection
Protection rating	IP 20
Display	Meter (comply with MID)
Dimensions (W/H/D)	165*235*80 mm
Weight	2Kg
Operating temperature	-5°C ... +40°C
Altitude	<2000m
Cooling concept	Natural cooling
Meter Certificate	MID

Installation Diagram



Internal Front View

